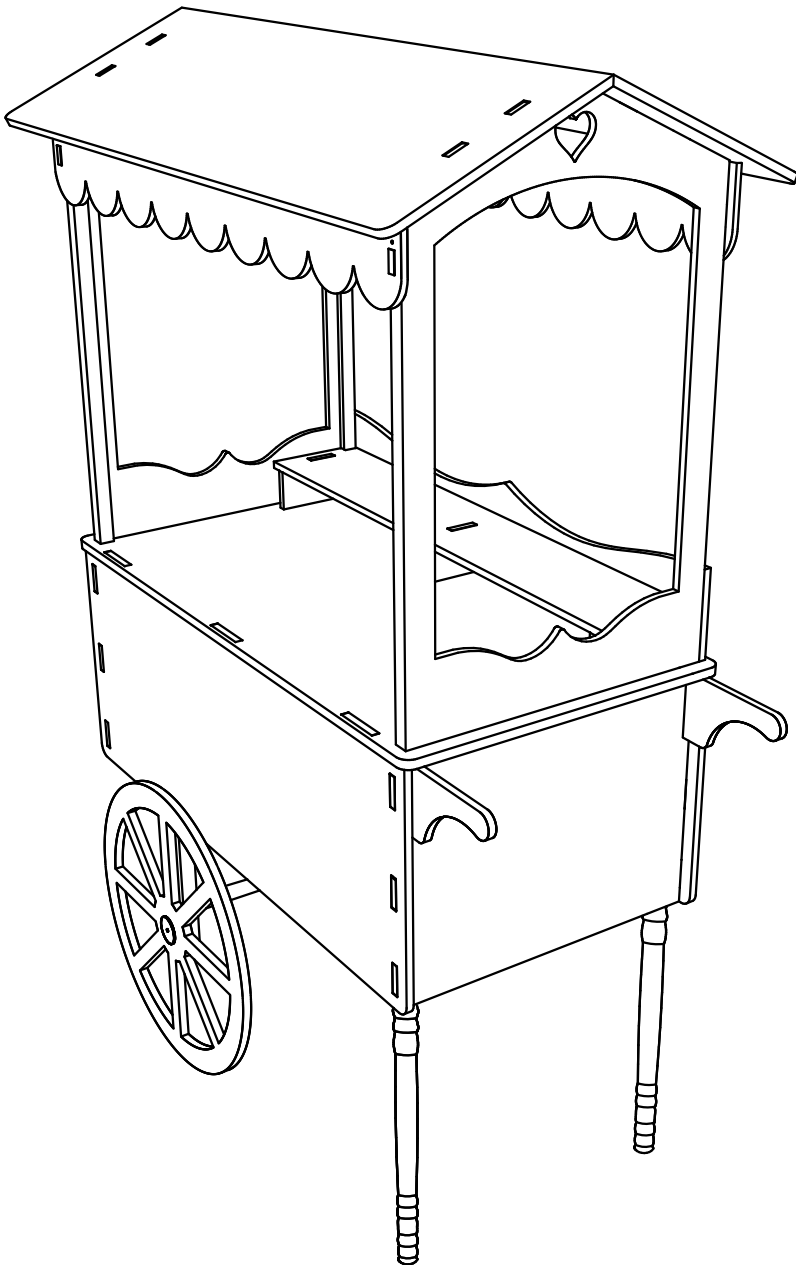


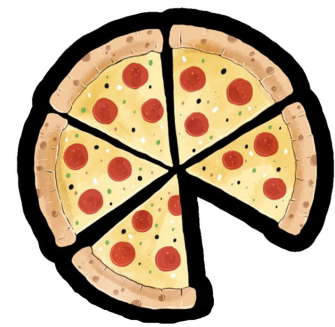
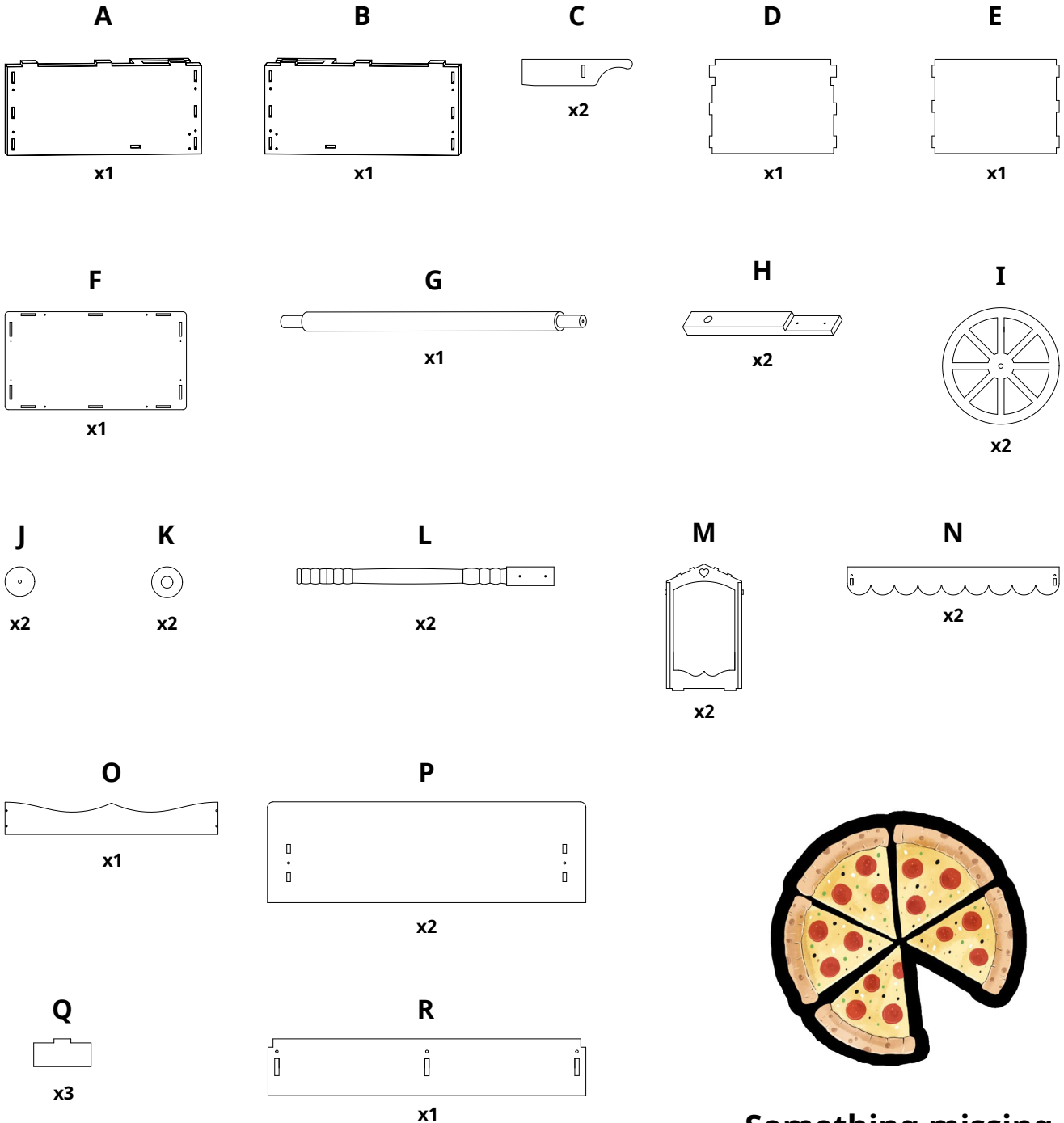
# Candy Cart

## Assembly Instructions



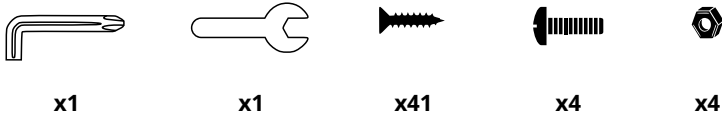
**Displaystore.com**  
support@displaystore.com  
Display Store LLC  
Sheridan, WY 82801

**Note:** For best results, assembly is recommended with two people to ensure proper alignment and ease of handling. Handle with care during assembly. The parts are designed to fit together easily, without the need for force.

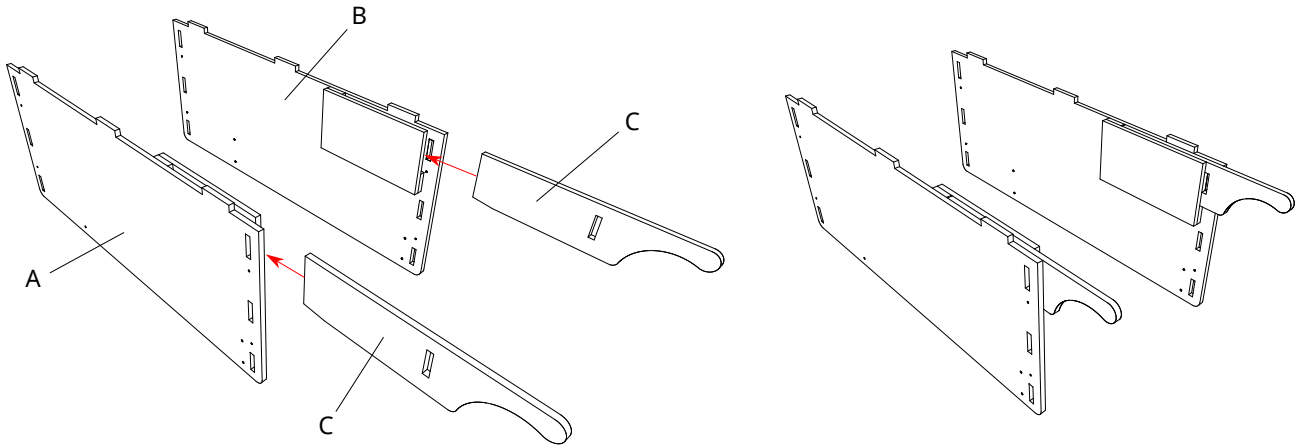
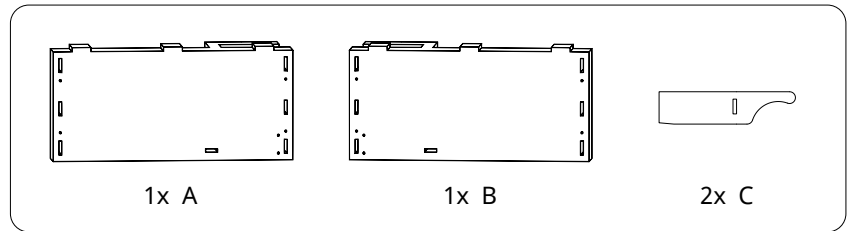


**Something missing or part is broken?**

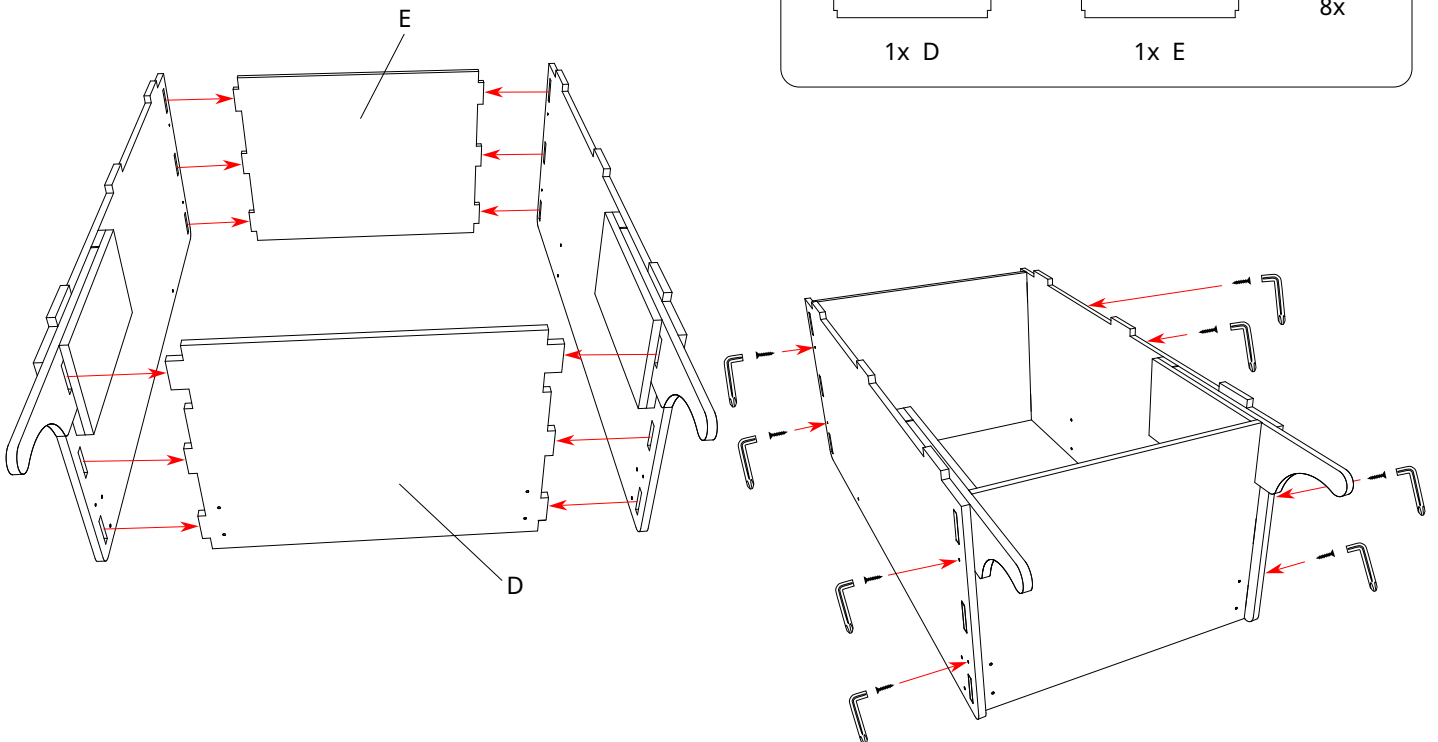
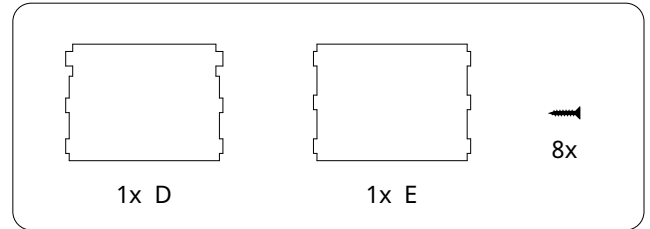
Please reach out to [support@displaystore.com](mailto:support@displaystore.com) and we will get you sorted out immediately!



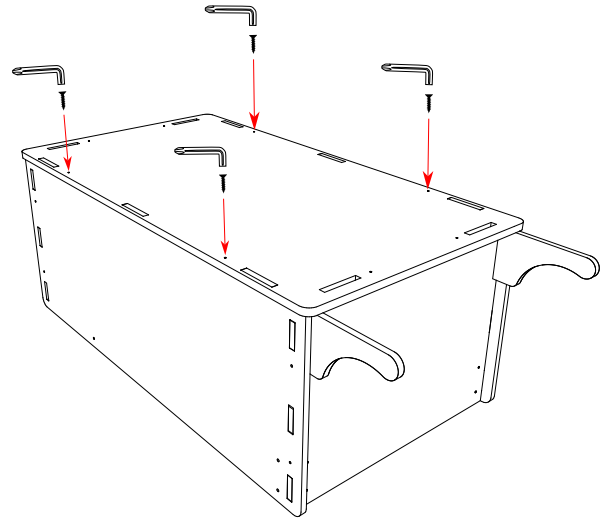
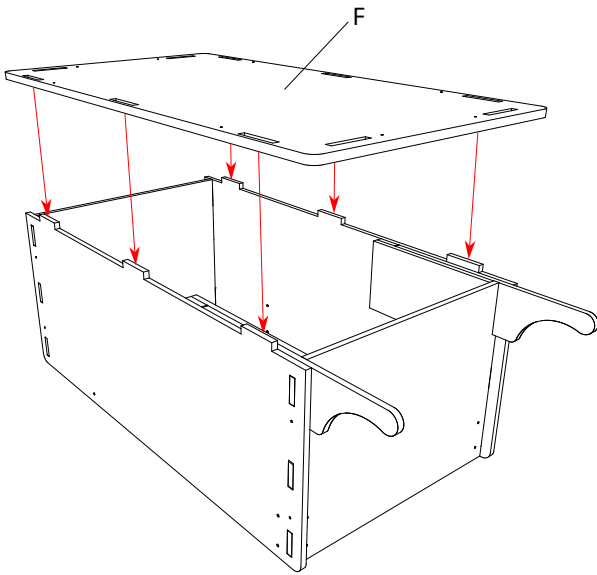
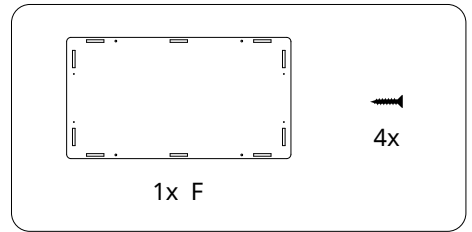
## Step 1



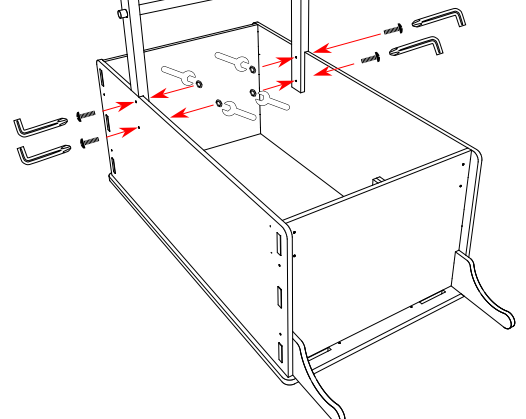
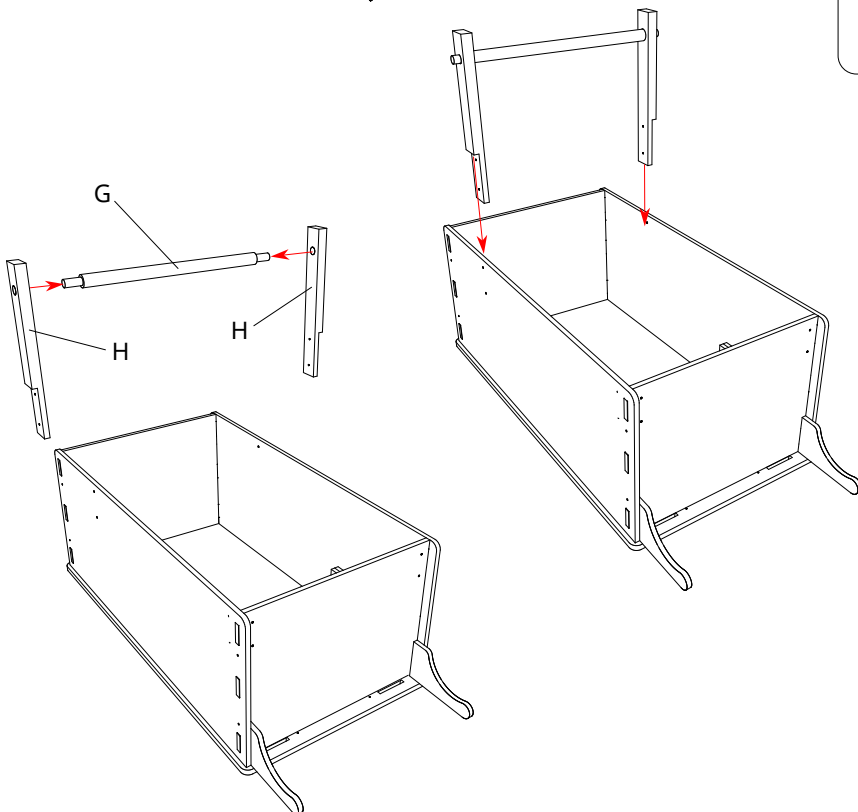
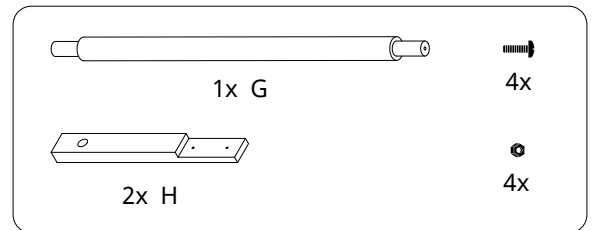
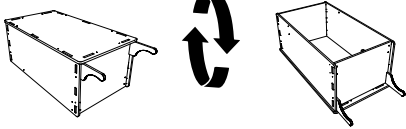
## Step 2



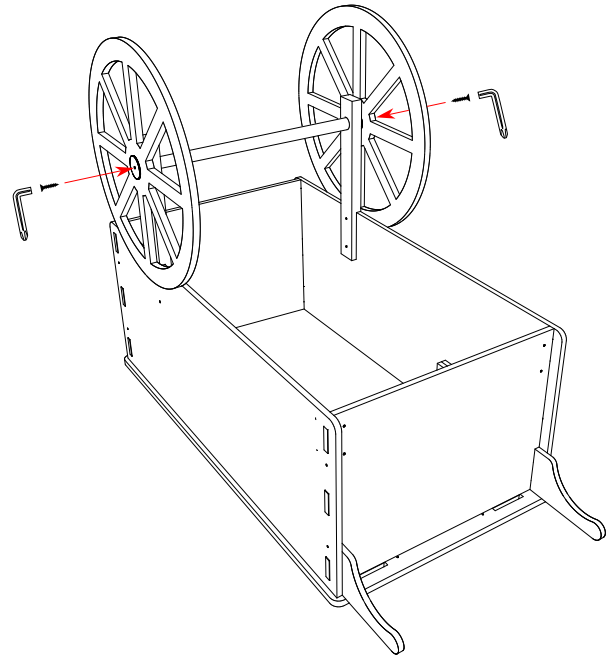
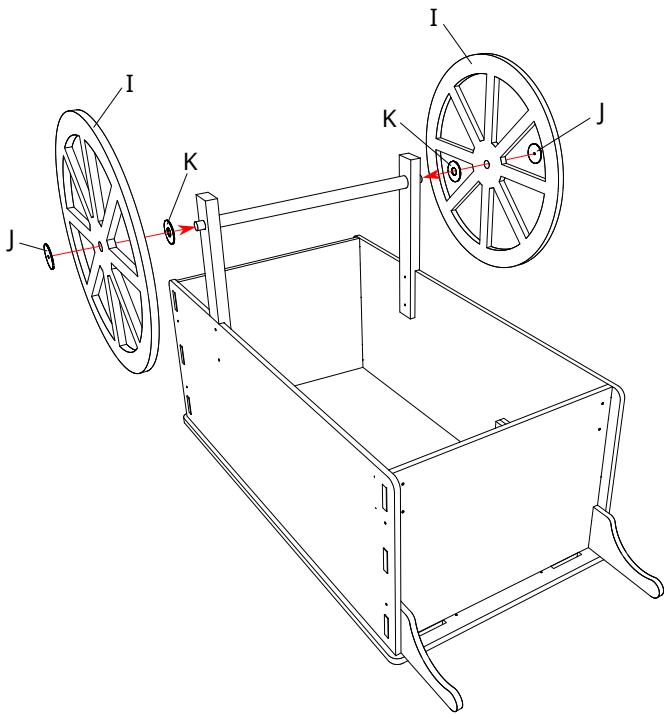
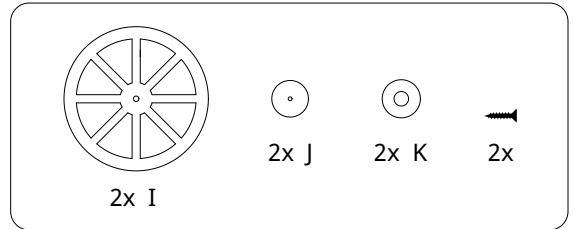
### Step 3



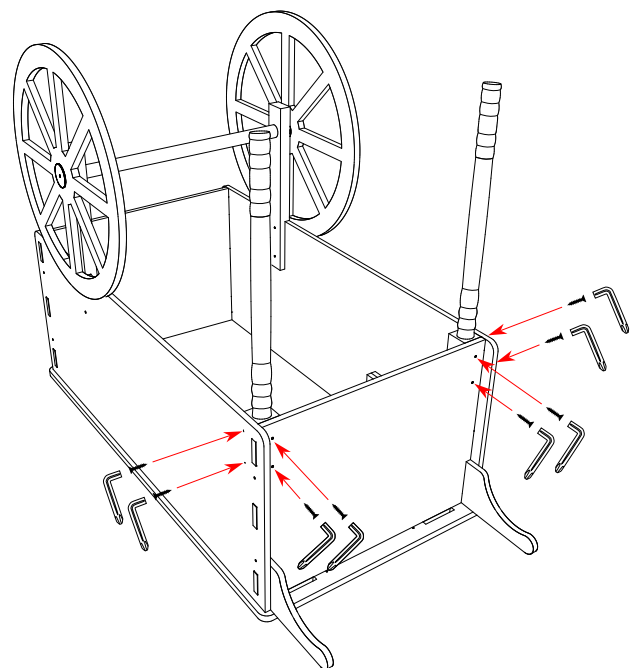
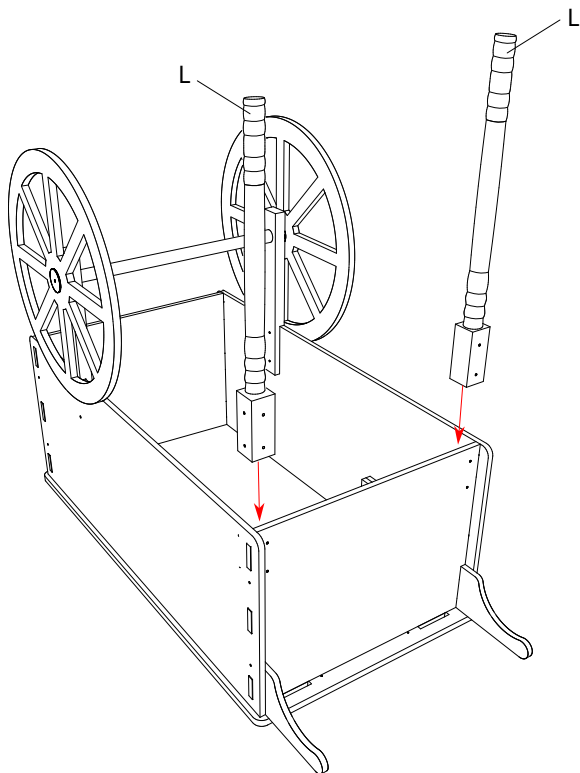
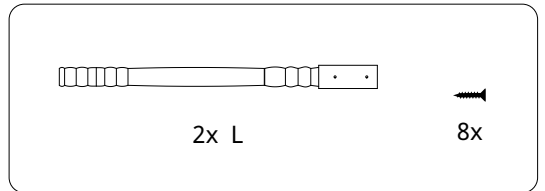
### Step 4



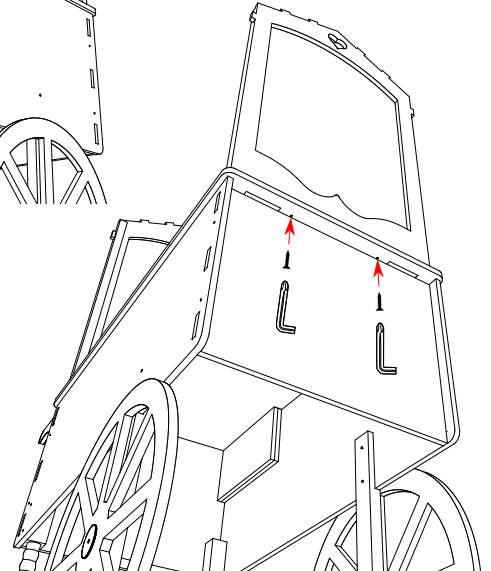
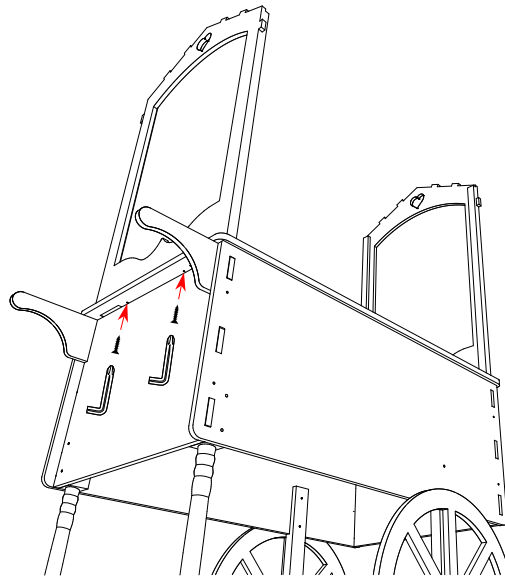
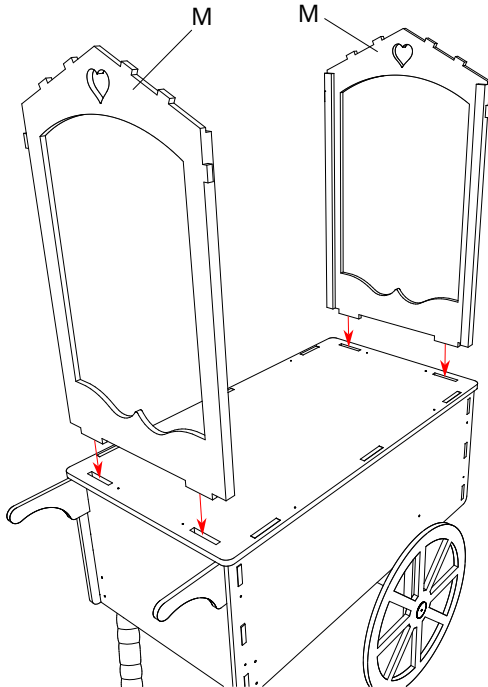
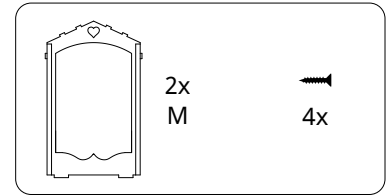
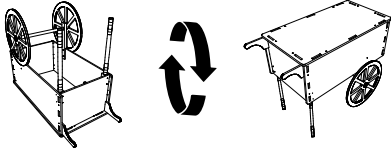
## Step 5



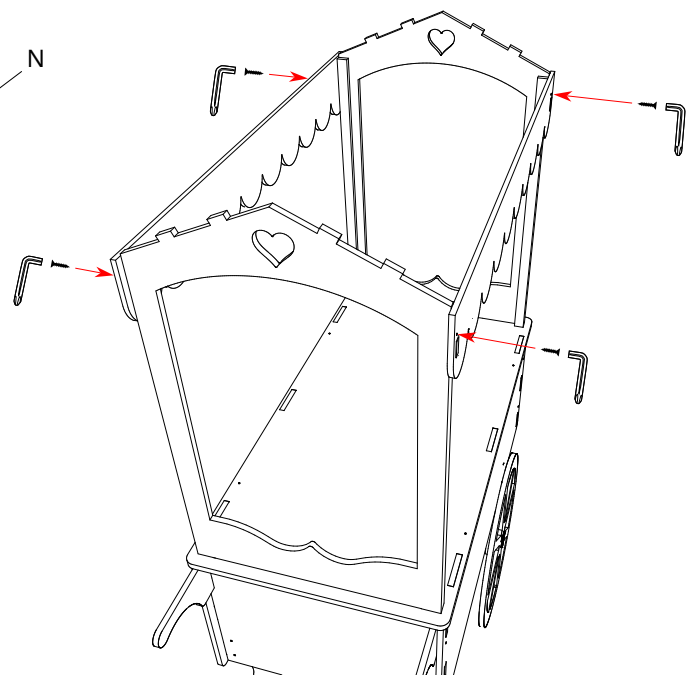
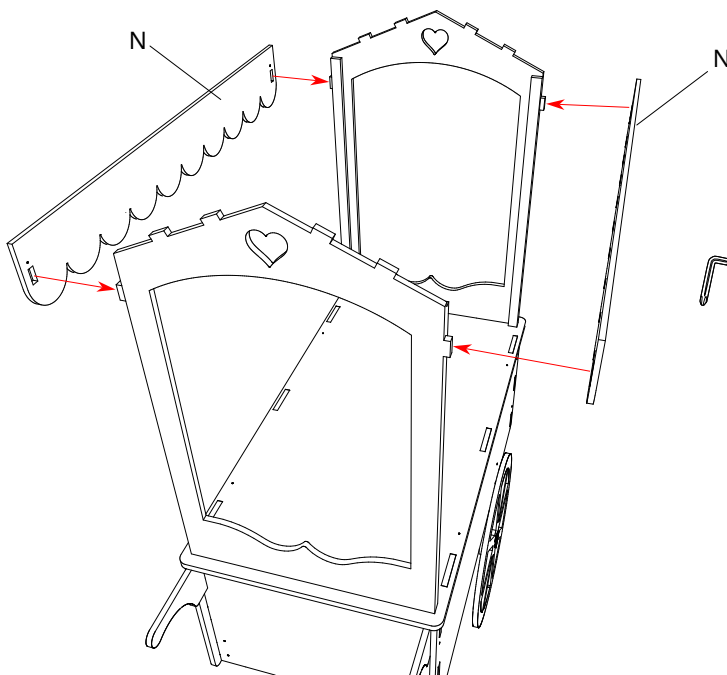
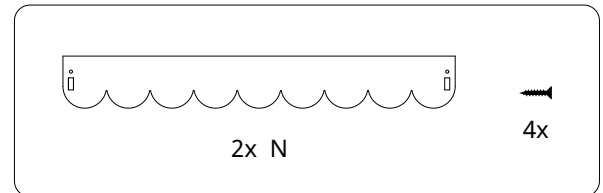
## Step 6



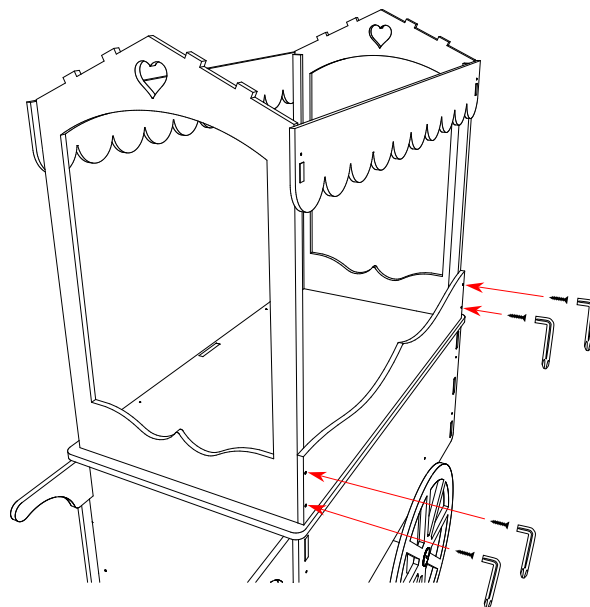
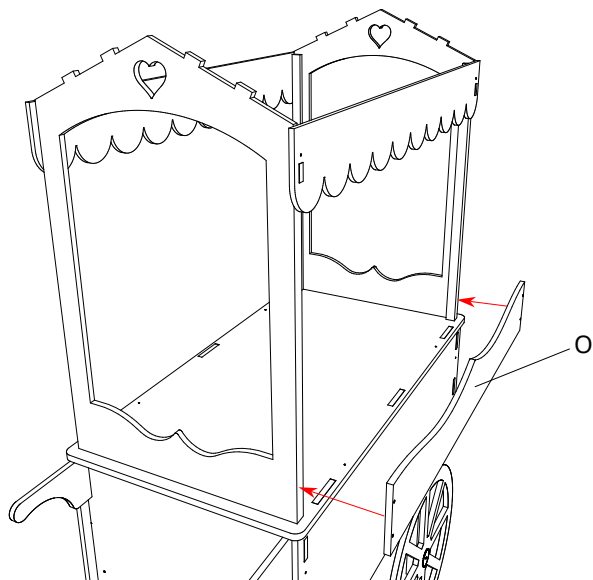
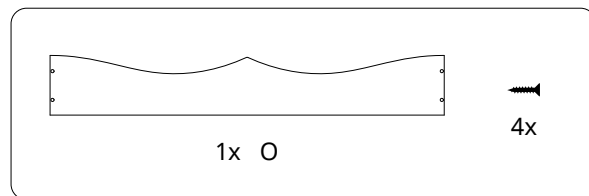
### Step 7



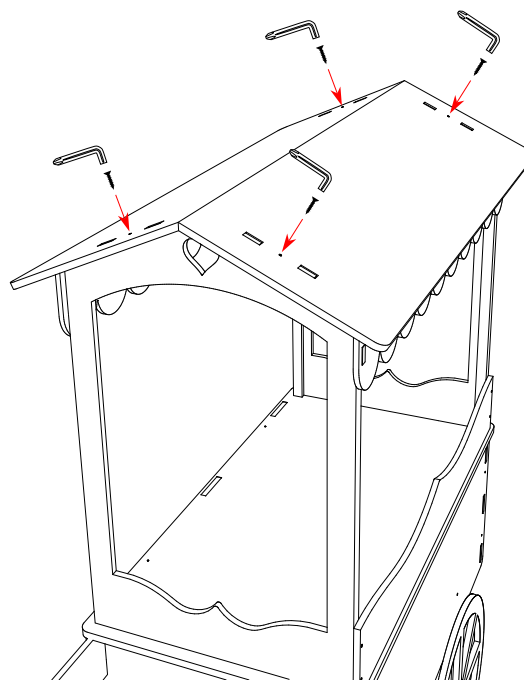
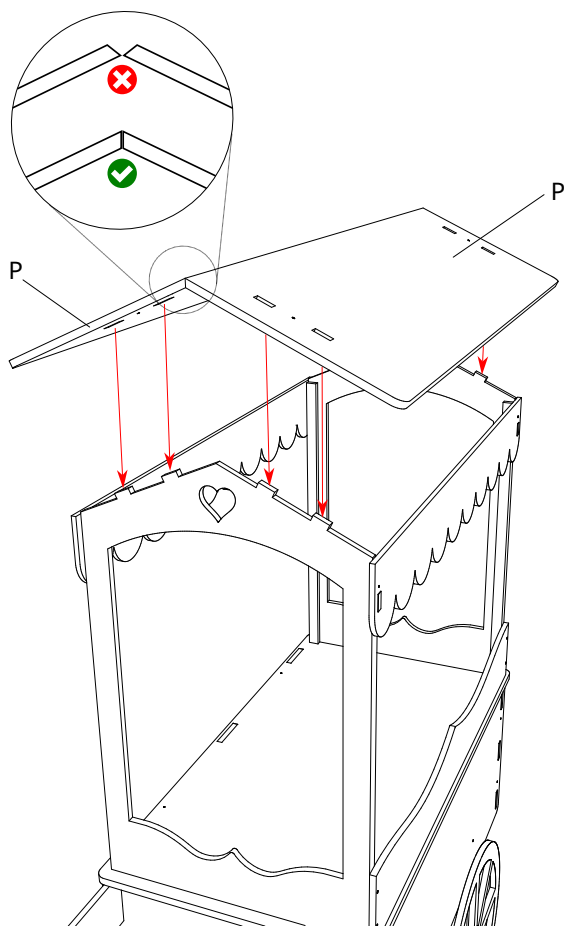
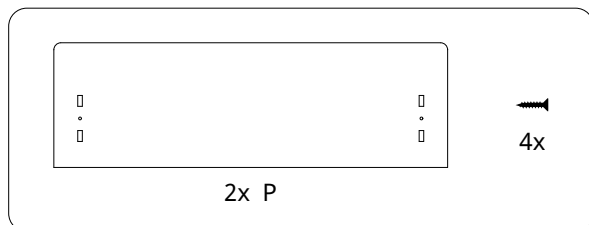
### Step 8



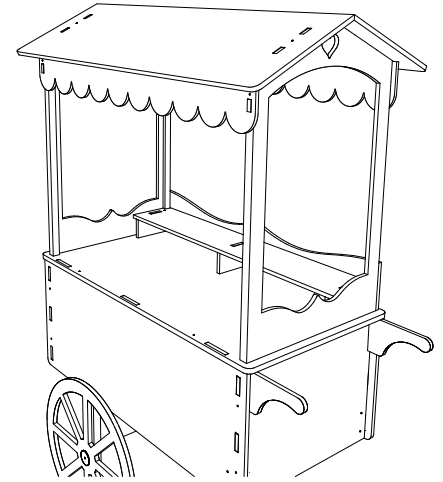
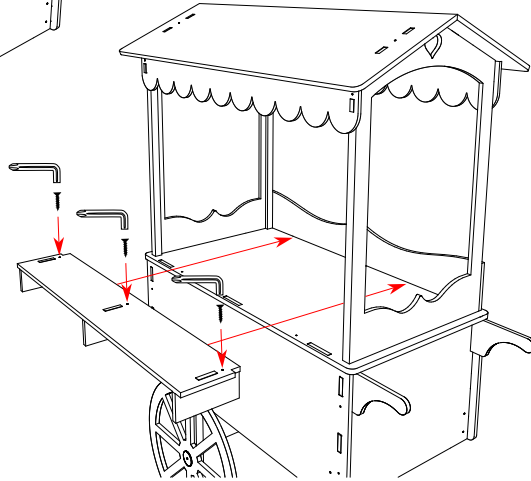
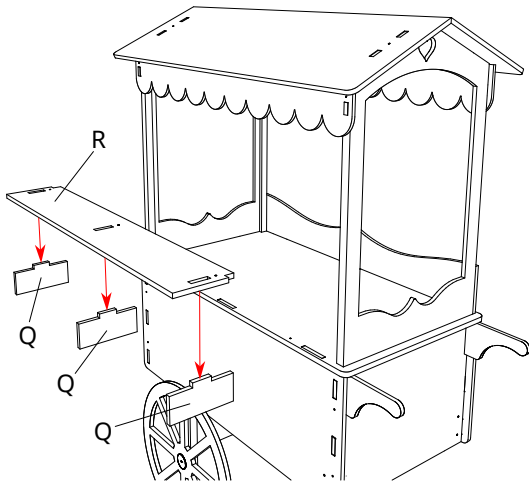
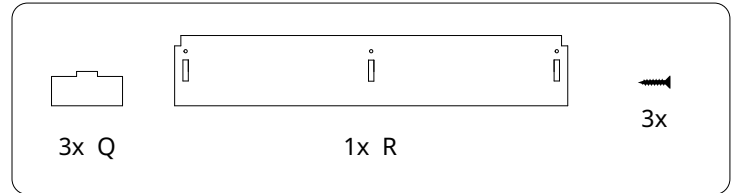
### Step 9



### Step 10



## Step 11



## How to carry the Candy Cart

The Candy Cart should be carried by **two persons**. Place one hand under the body and one on the table top, then lift.

