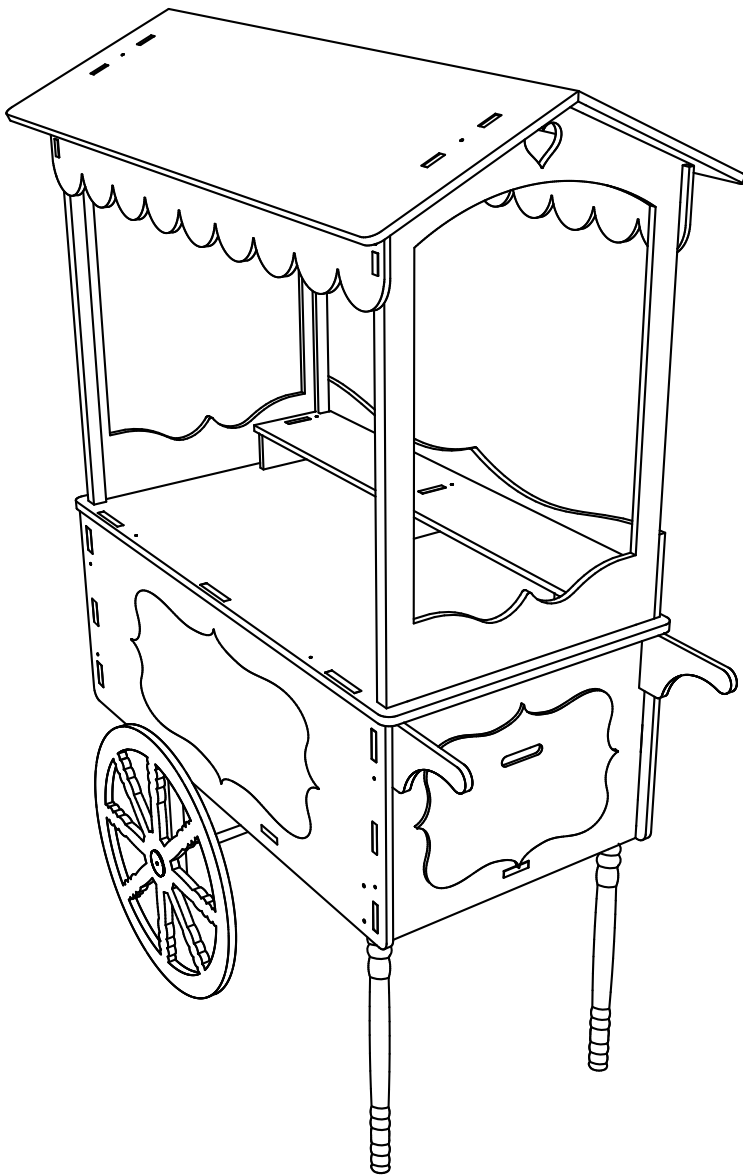


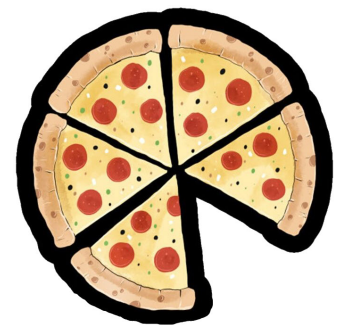
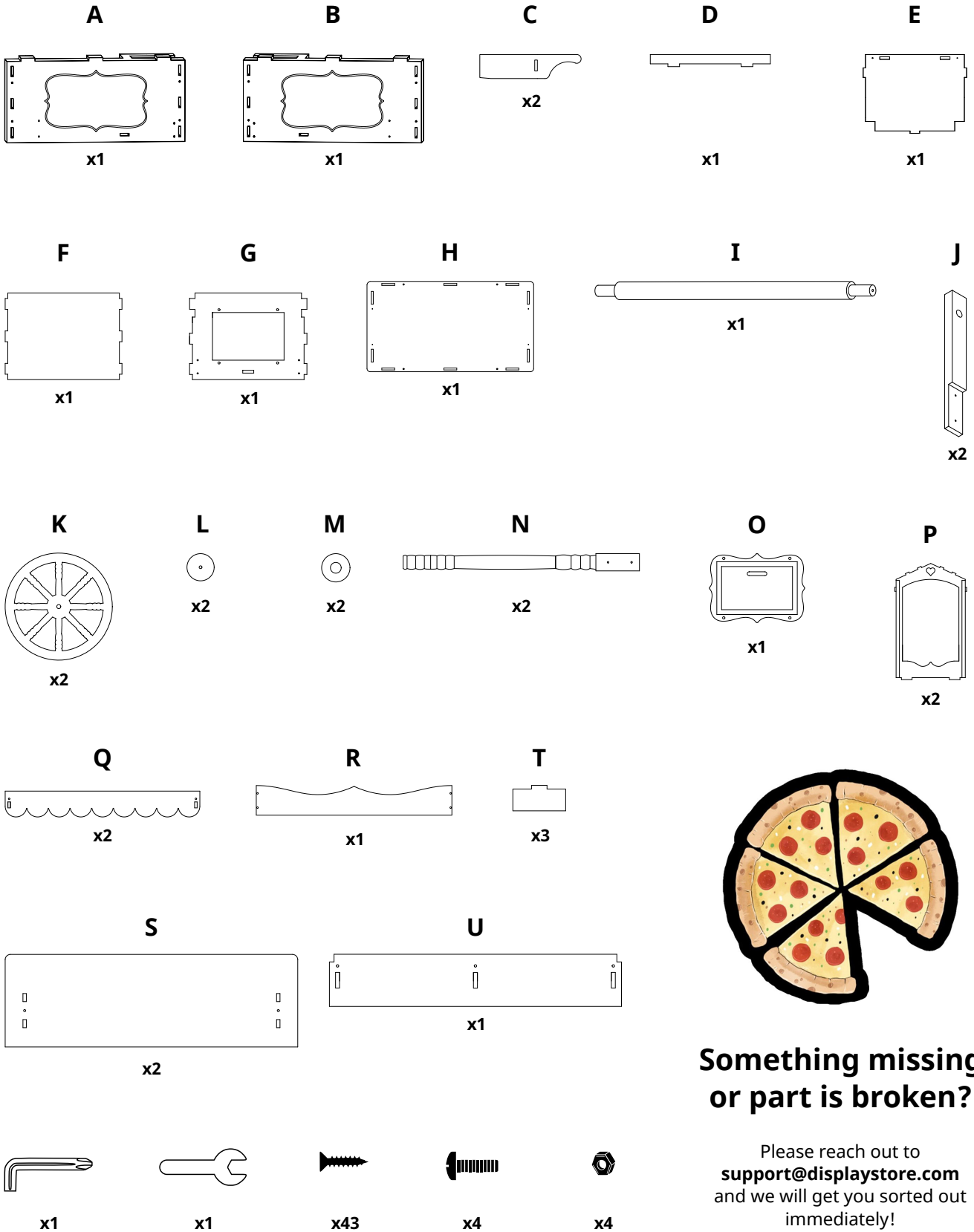
Candy Cart

Assembly Instructions



Displaystore.com
support@displaystore.com
Display Store LLC
Sheridan, WY 82801

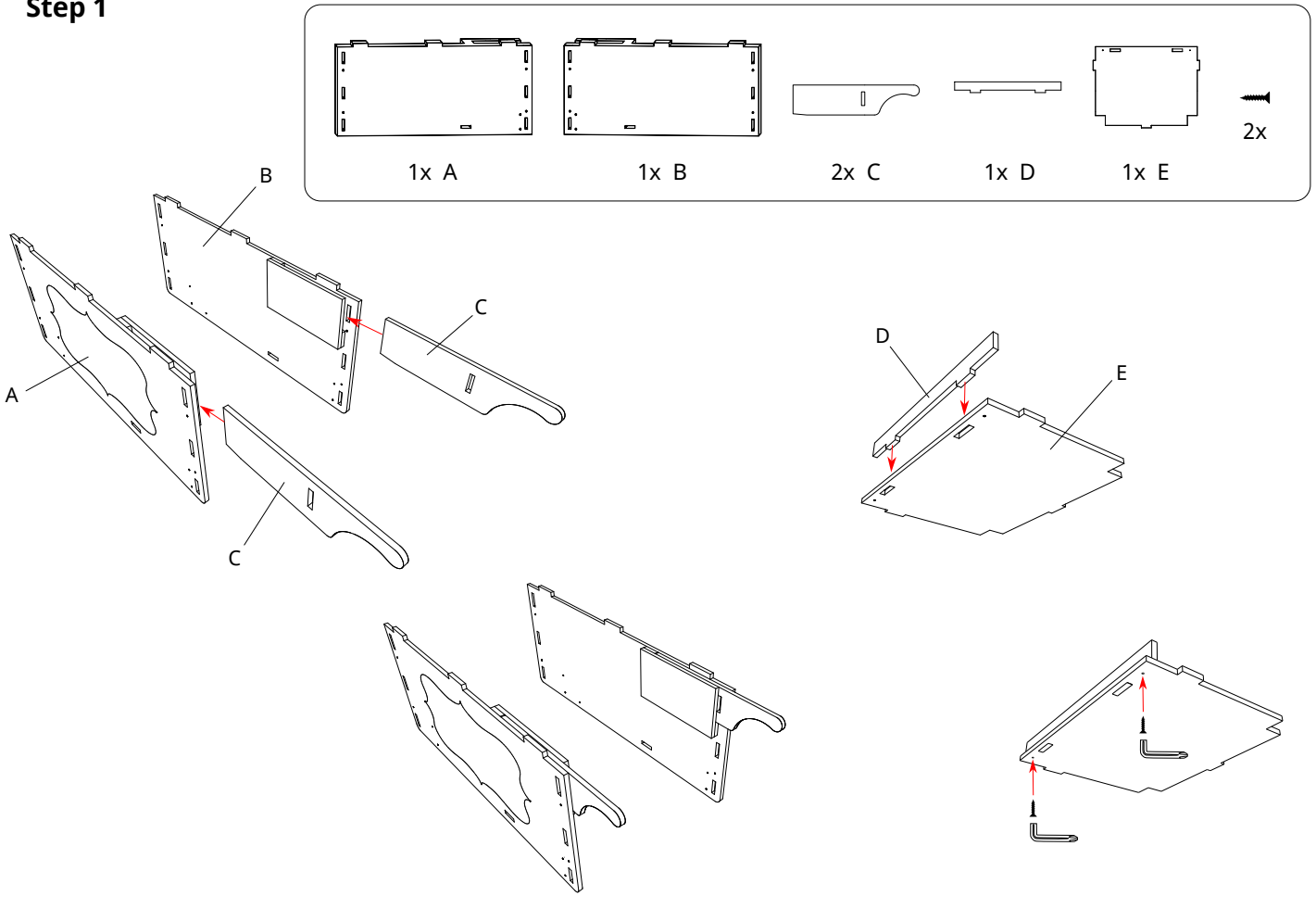
Note: For best results, assembly is recommended with two people to ensure proper alignment and ease of handling. Handle with care during assembly. The parts are designed to fit together easily, without the need for force.



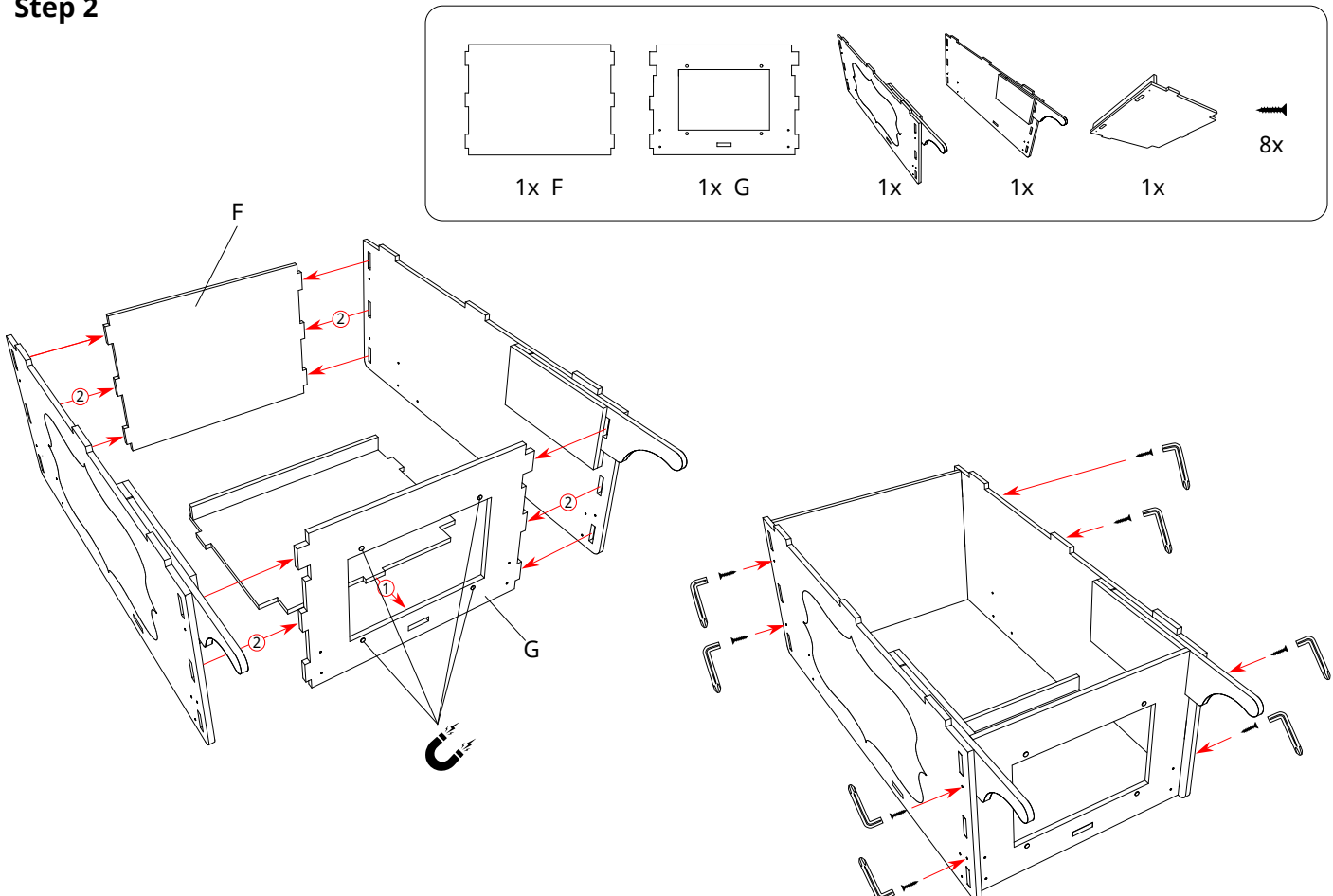
Something missing or part is broken?

Please reach out to support@displaystore.com and we will get you sorted out immediately!

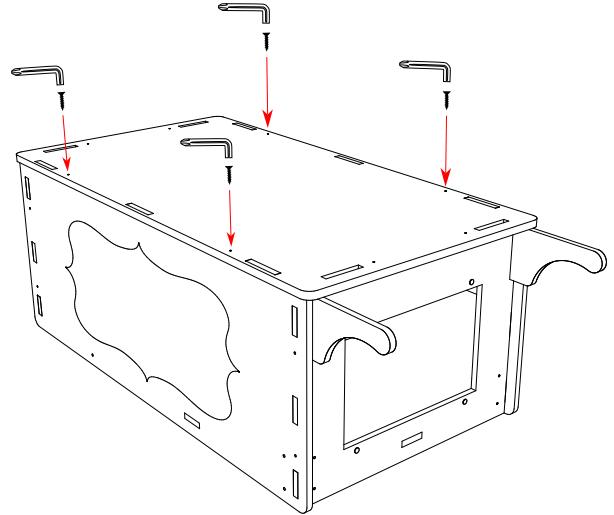
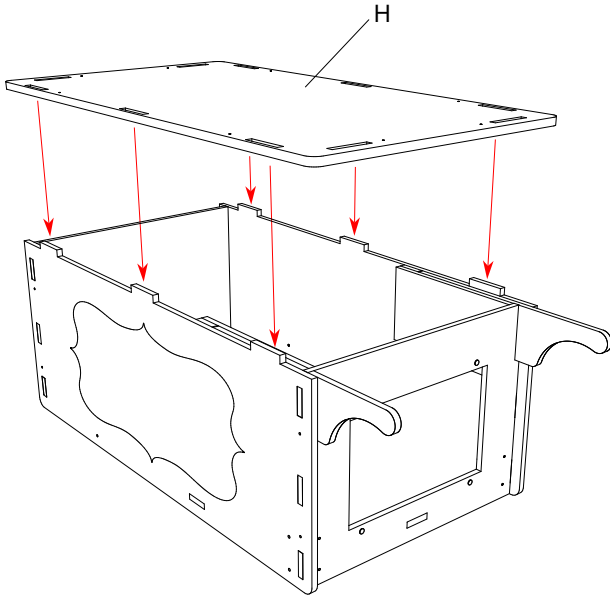
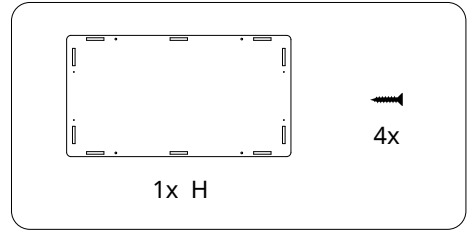
Step 1



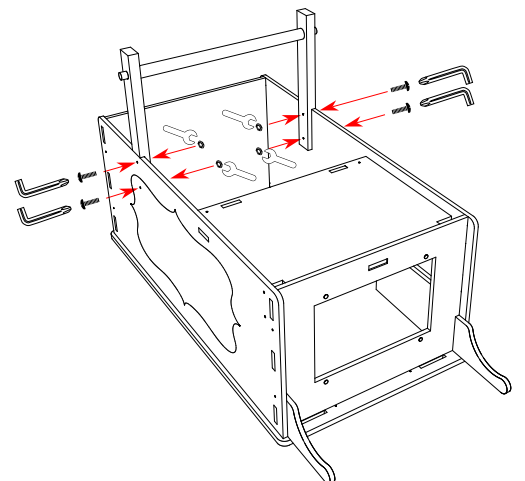
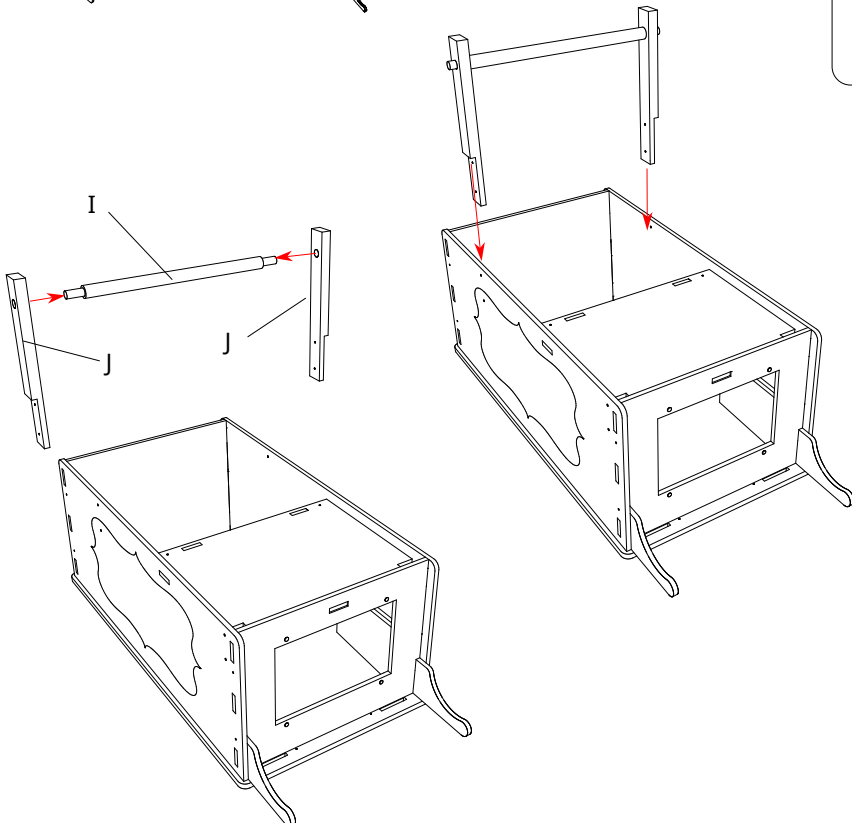
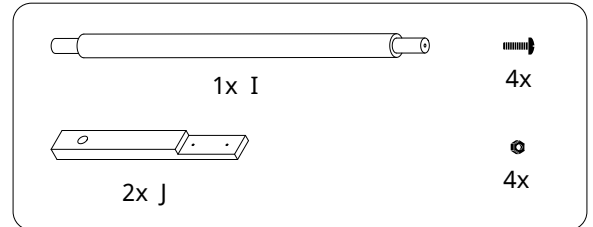
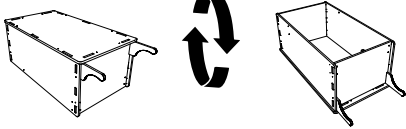
Step 2



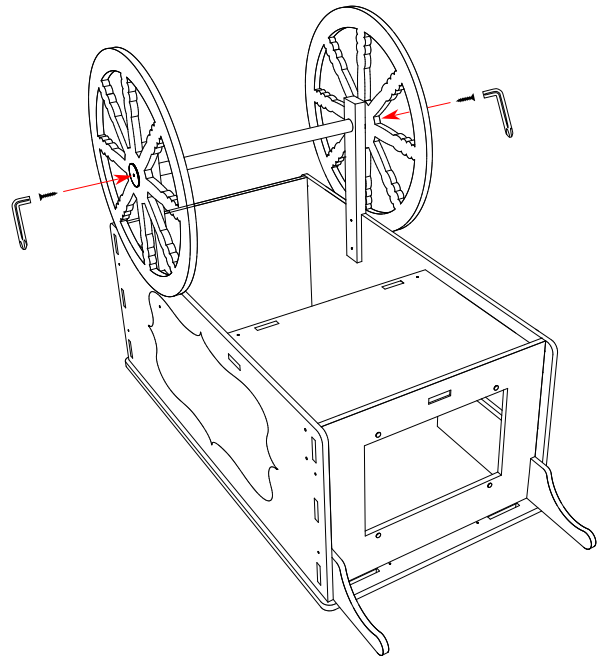
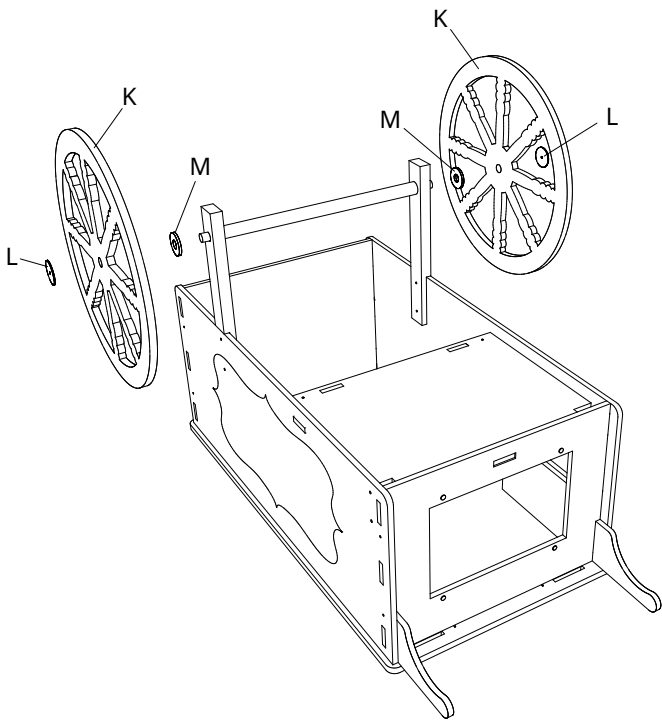
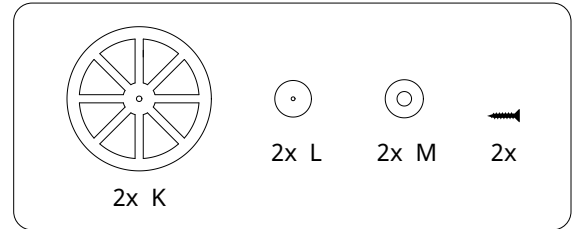
Step 3



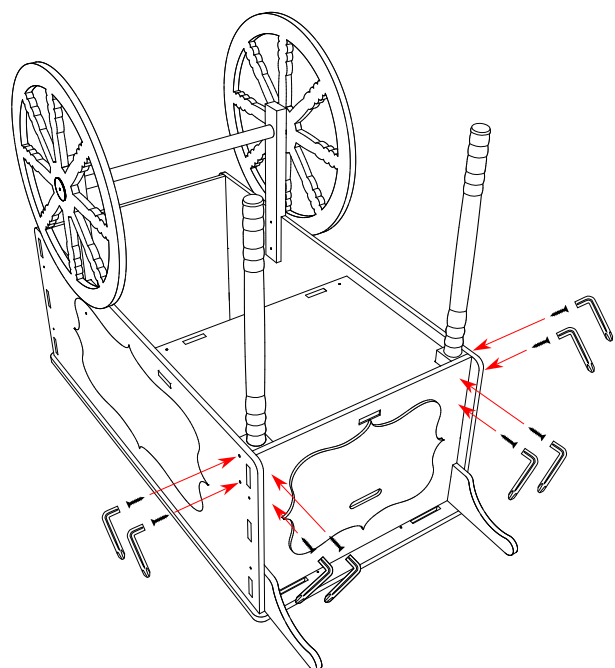
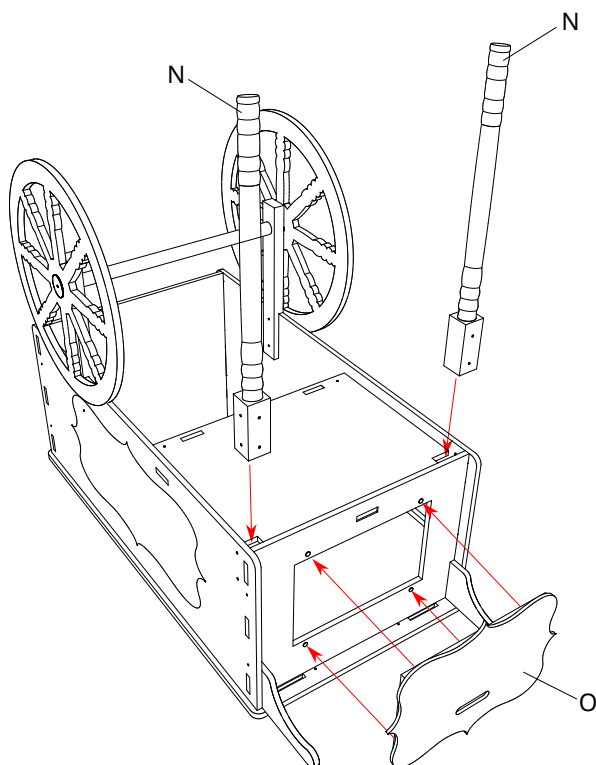
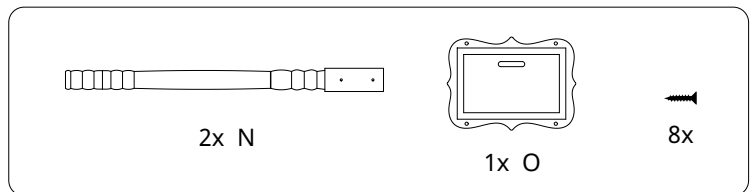
Step 4



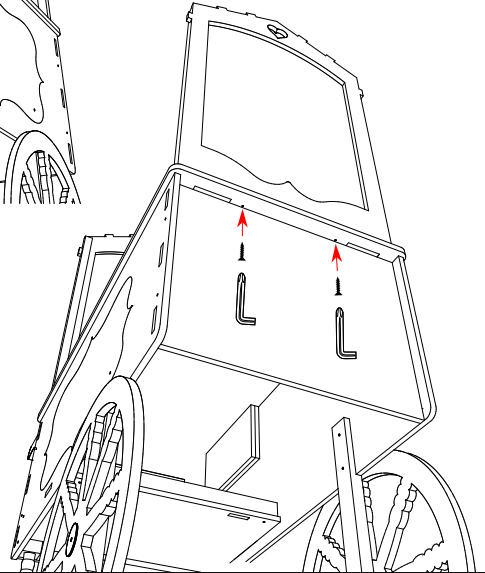
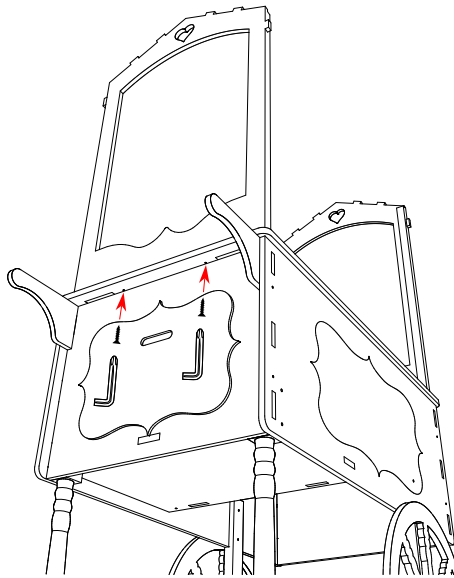
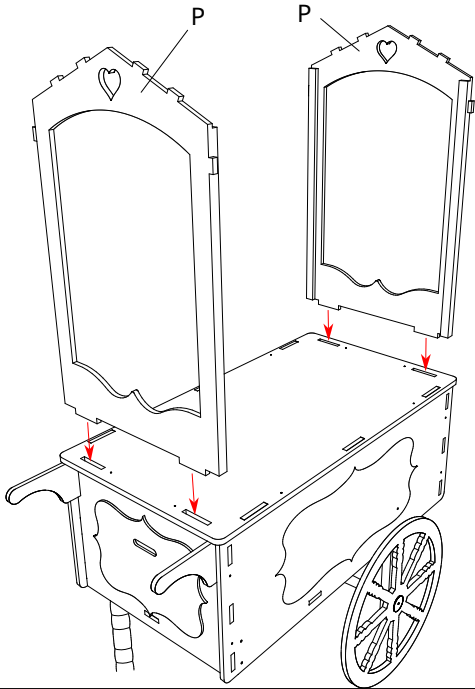
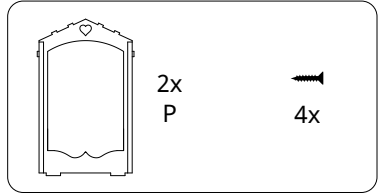
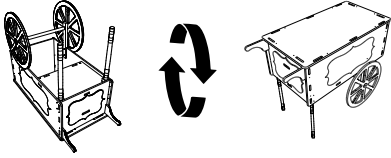
Step 5



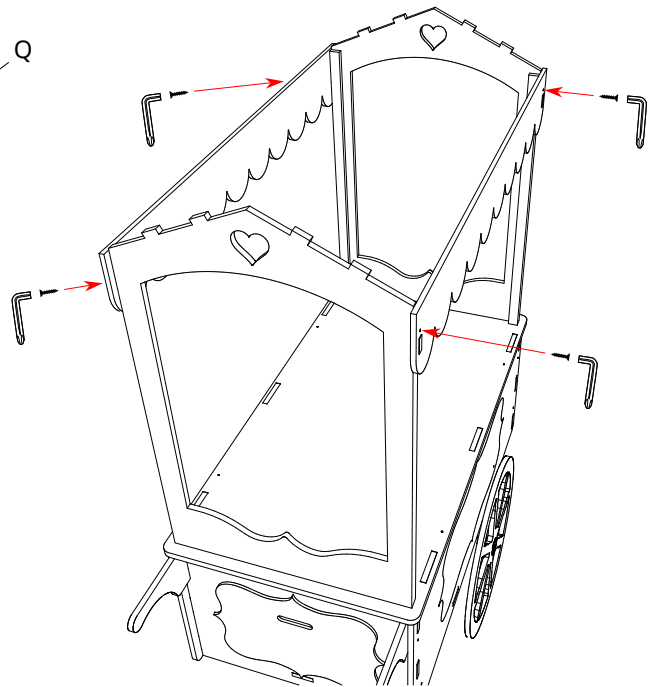
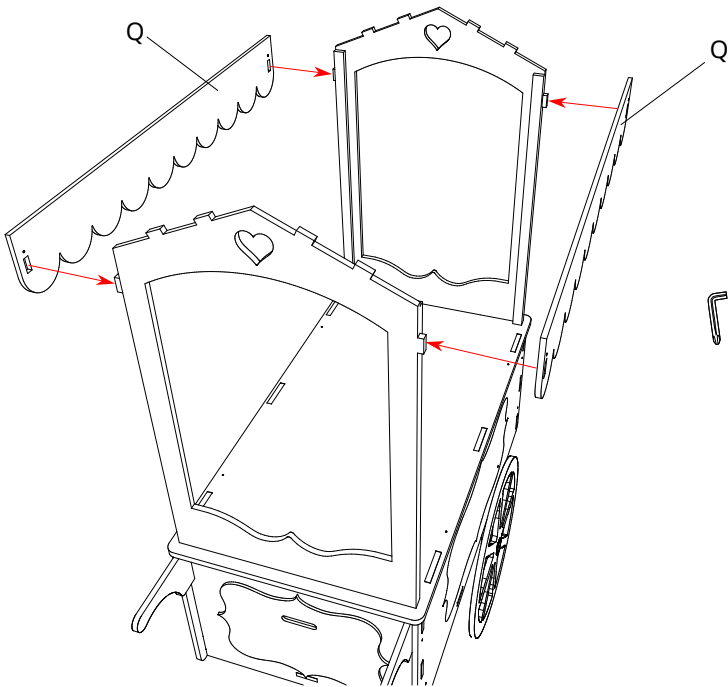
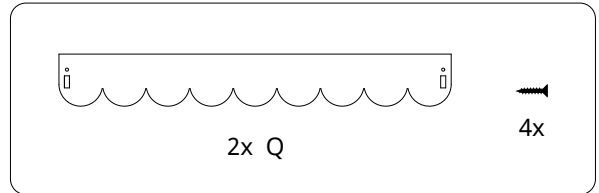
Step 6



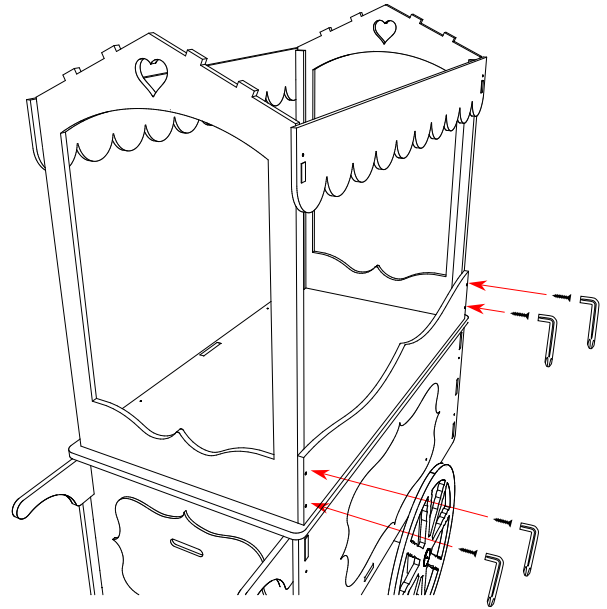
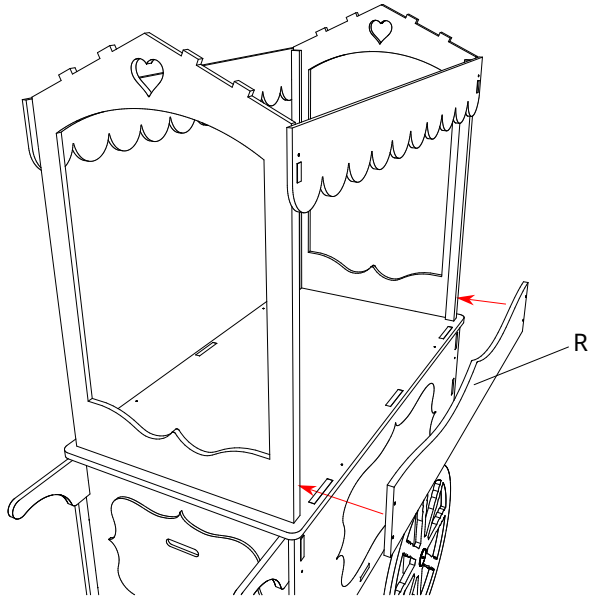
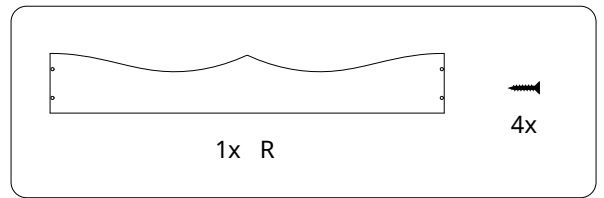
Step 7



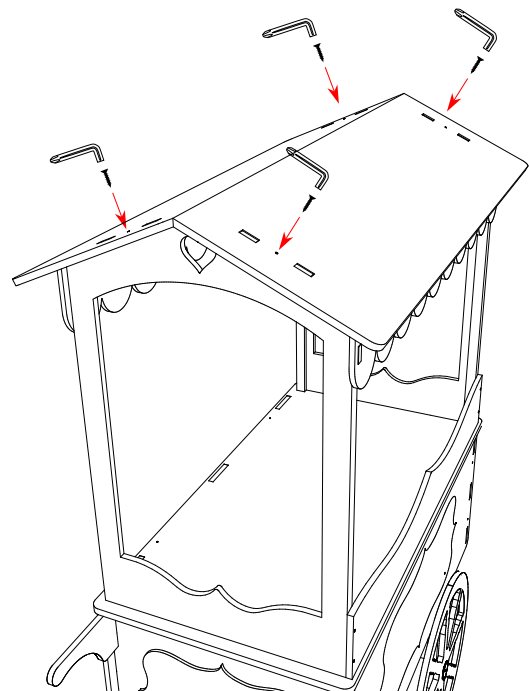
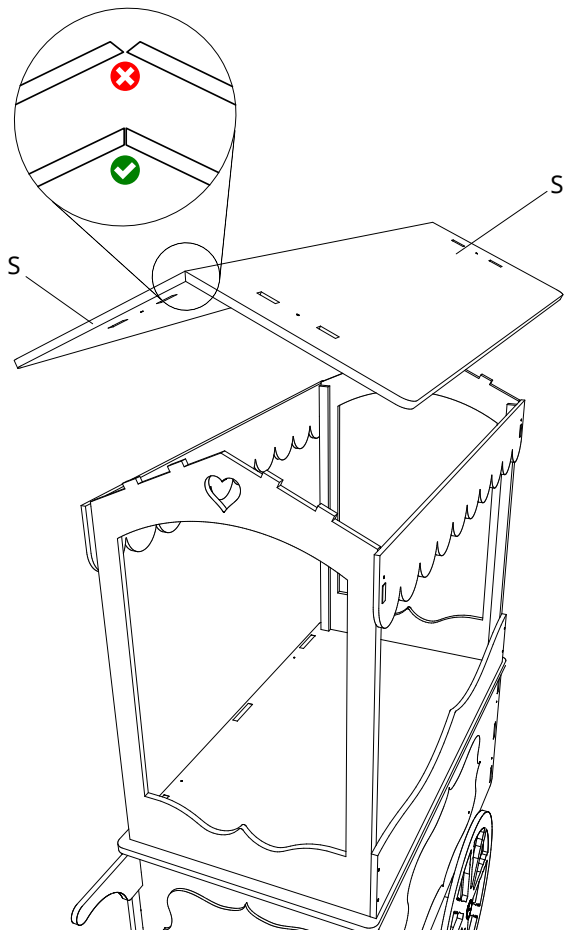
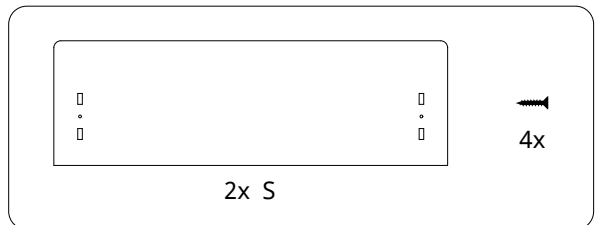
Step 8



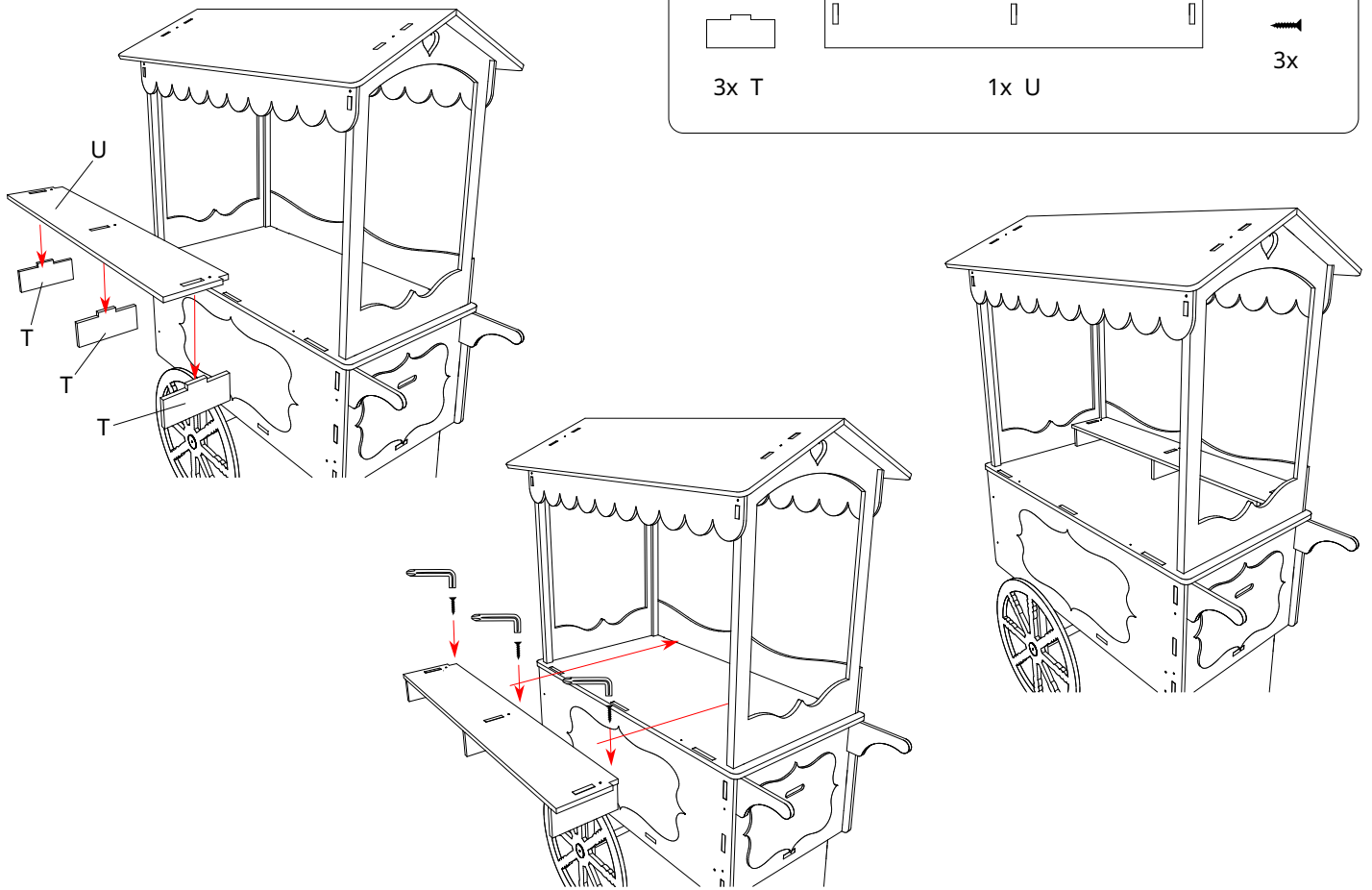
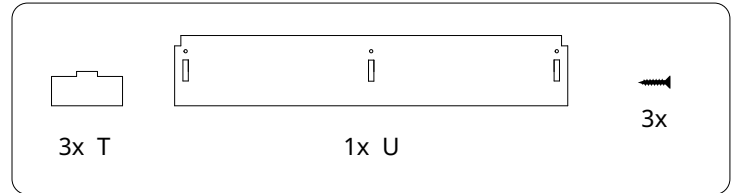
Step 9



Step 10



Step 11



How to carry the Candy Cart

The Candy Cart should be carried by **two persons**. Place one hand under the body and one on the table top, then lift.

